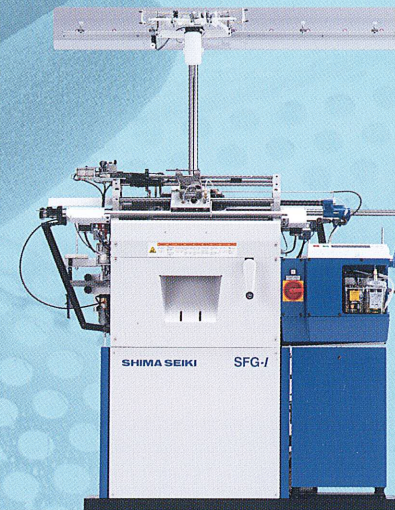


your choice
SHIMA SEIKI

SFG-I

Automatic Seamless Glove Flat Knitting Machine



THE ECONOMICAL TURN-GLOVE SPECIALTY MACHINE

Following in the footsteps of the original SFG™ fully automatic seamless glove knitting machine, SHIMA SEIKI's SFG™-I is now the new global standard for fine and ultrafine gauge gloves, having inherited the know-how and experience accumulated over the years as the leading manufacturer of automatic glove knitting machines. SFG™-I now features electronic programming, while carrying over proven SHIMA SEIKI technology such as our original sinker knitting system, stitch density control and centralized lubrication. Made-in-Japan quality, reliability, productivity and value also combine to satisfy the high expectations of the world's glove knitting industries. These quality production benefits, combined with the precision engineering required for fine gauge knitting, produce gloves with a natural and comfortable fit that is perfect for high-precision work, medical applications and coated gloves. Very tight stitches between the fingers also make them suited for use as coated turn gloves as well. SFG™-I's economical turn-glove configuration furthermore offers even more value-for-money while meeting current demands in the global glove knitting market.

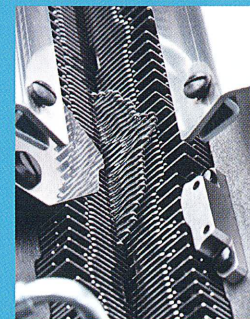
New Control System

Machine control is now performed by electronic programming, replacing the conventional control drum. The result is a user-friendly machine that features superior operability, durability and ease of maintenance.



Original Sinker System

With SHIMA SEIKI's original sinker knitting system, SFG™-I produces gloves that are superior in stretch and strength qualities and conform perfectly to the shape of hands.

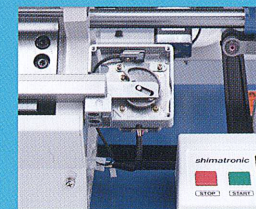


Durable Needle Bed

The SFG™-I needle bed features special insertion plates. Precision-manufactured from special steel using state-of-the-art hardening technology, these plates provide extreme strength and durability for high-speed, high-quality product manufacturing, while facilitating maintenance.

Stitch Density Control

Stepping motors are used to make fine adjustments in stitch density to help the glove conform to the various parts of the hands, in particular the fingertips. Gloves can be shaped to fit snugly, extending the benefits of ultrafine gauge gloves even further.

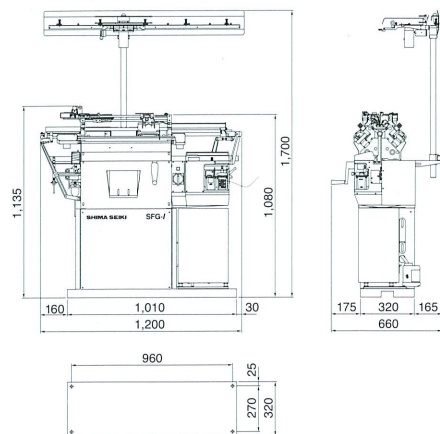


CE Version (Optional)

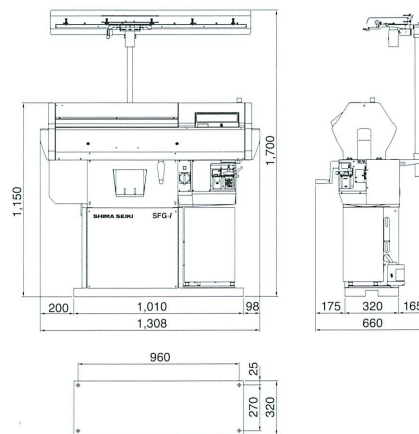
Developed for the European Community, the CE version (Option) of SFG™-I features an integrated safety cover with interlock mechanism and a signal tower for instantly communicating operational conditions. The CE Mark attached to each CE version is a symbol of SHIMA SEIKI's commitment to safety and reliability.



■ Standard version



■ CE version



Average Weight

Standard version	230kg (506lbs.)
CE version	265kg (583lbs.)

Actual weight is dependent upon optional equipment.

All dimensions in millimeters.

Fully Fashioned High-Speed Knitting Machine



your choice
SHIMA SEIKI

SPECIFICATIONS

Type	SFG-I			
Gauge	10	13	15	18
Size (in needles)	L2: 68 L: 63 M: 58	L3: Front: 88, Rear: 89 L2: Front: 83, Rear: 84 L: 78 M: 73	L2: 103 L: 93 M: 83	L2: 123 L: 113 M: 103
Maximam speed range	Finger: 260-280rpm Palm: 120-130rpm			
Stitch density	56 levels, electronically controlled.			
Knitting system	Sinker knitting system			
Drive system	Inverter motor crank system			
Conversion device	1-color Conversion device			
Lubrication	Solenoid actuated automatic lubrication system (sinker), Centralized lubrication system (machine)			
Stop motion	Yarn break, piece count, over-torque, dropping failure, program error, etc.			

CONTROLLER

Control unit	Electronic programming
Control display	LED display and keypad input
Power	Single / 3-phase AC200 / 220 ± 10% Single 700VA / 3-phase 620VA

Options	<ul style="list-style-type: none"> Size changing device Plating yarn feeder Plating yarn feeder control device 2-color Conversion device (Includes secondary yarn cutter device) Automatic lubrication system (jack) CE Mark Turn glove device 3 finger palm device
---------	---

SHIMA SEIKI MFG., LTD.

85 Sakata Wakayama, 641-8511 Japan
TEL +81-73-474-8210 FAX +81-73-474-8270

SHIMA SEIKI EUROPE, LTD.

Sills Road, Willow Farm Business Park,
Castle Donington, Derbyshire DE74 2US U.K.
TEL +44-1332-814770 FAX +44-1332-850272

SHIMA SEIKI ITALIA S.p.A.

Via Redecesio 11-20090 Segrate (MI) ITALY
TEL +39-02-216621 FAX +39-02-2139410

SHIMA SEIKI SPAIN, S.A.U.

Poligono Industrial Can Salvatella, Calle Comadran 35
08210 Barbera Del Valles, Barcelona, SPAIN
TEL +34-93-7293727 FAX +34-93-7180626

SHIMA SEIKI PORTUGAL, UNIPESSOAL LDA

Rua S. Juliao 241, Apartado 3142, Avintes 4431-801, PORTUGAL
TEL +351-22-787-8580 FAX +351-22-787-8589

SHIMA SEIKI U.S.A. INC.

22 Abeel Road, Monroe Twp., New Jersey 08831 U.S.A.
TEL +1-609-655-4788 FAX +1-609-655-3989

SHIMA SEIKI (HONG KONG) LTD.

1901, 19/F, Lu Plaza No. 2 Wing Yip Street,
Kwun Tong, Kowloon, HONG KONG
TEL +852-2898-8339 FAX +852-2558-8332

SHIMA SEIKI KOREA INC.

Seojung Bldg. 1F, 2F, 590-9, Guui-Dong,
Kwangjin-Gu, Seoul KOREA 143-200
TEL +82-2-2216-4057 FAX +82-2-2216-4711

SHIMA SEIKI MFG., LTD., TAIPEI BRANCH

1F, 30, Lane 583, Ruey Kuang Rd., Neihu, Taipei 11492, TAIWAN
TEL +886-2-8752-3388 FAX +886-2-8797-5522

URL <http://www.shimaseiki.com>

SAFETY NOTICE

In order to ensure safe operation of the equipment, please review all operation manuals carefully before use.

SHIMA SEIKI and SFG are either registered trademarks or trademarks of SHIMA SEIKI MFG., LTD. in Japan and / or other countries. SHIMA SEIKI maintains a policy of continuous improvement for its products, and therefore specifications and appearances are subject to change without notice. Please contact your nearest authorized sales representative for the latest information.